

Single-phase energy meter with S0 pulse output

The S0 interface is a hardware interface for the transmission of measured values via pulses.

Main features

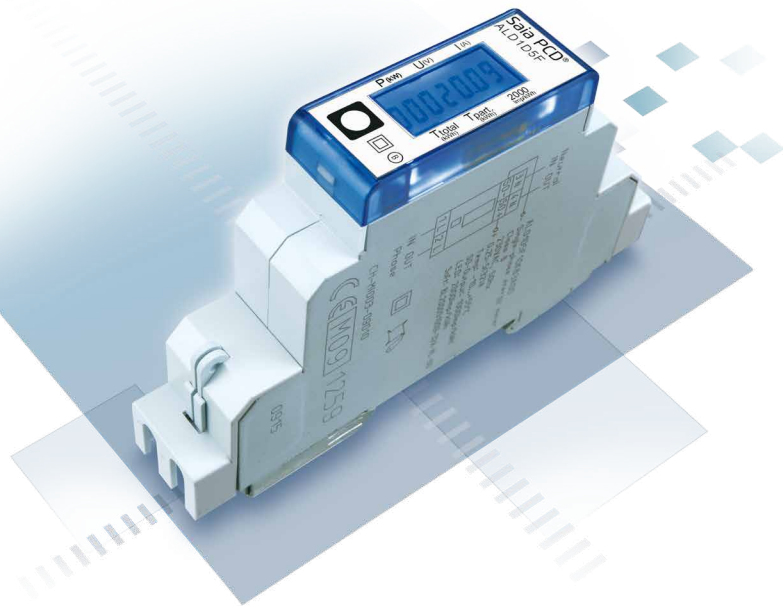
- Single-phase energy meter, 230 VAC 50 Hz
- Direct measurement up to 32 A
- Display of active power, voltage and current
- 7-digit LC-Display with backlight
- Lead seal possible with cap as accessory
- Precision class B according to EN50470-3, 1 according to IEC62053-21
- S0 output

Order Number

Standard Version:	ALD1D5F10KA2A00 ALD1D5F10KB2A00
MID Version:	ALD1D5F10KA3A00 ALD1D5F10KB3A00
Sealing caps:	4 104 7420 0

Technical Data

Accuracy class	1 in accordance with IEC62053-21 B in accordance with EN50470-3	
Voltage	230 VAC, 50 Hz Tolerance -20% / +15 %	
Reference / maximum current	$I_{ref} = 5 A$, $I_{max} = 32 A$	
Starting / minimum current	$I_{st} = 20 mA$, $I_{min} = 0.25 A$	
Power consumption	Active 0.4 W	
Counting range	00'000.00... 99'999.99 100'000.0... 999'999.9	
Display	LCD with backlight, digits 5 mm high	
S0 output	Optocoupler max. 30 V / 20 mA and at least 5 V impedance 100 Ω, impulse range 30 ms	
Transmission distance	Maximum 1000 m (with 30 V / 20 mA)	
Pulses per kWh	LC display	2000 pulses/kWh
	S0 output	1000 pulses/kWh

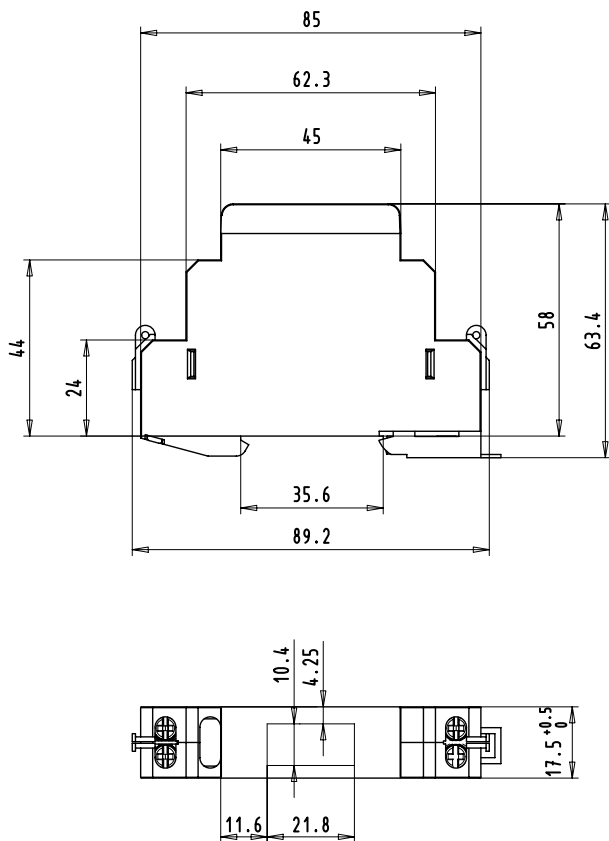


Mounting

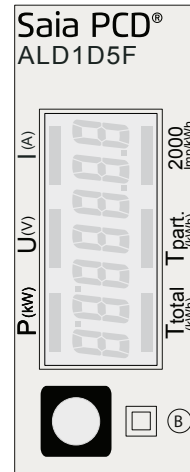
Mounting	On 35 mm rail according to EN60715TH35
Screwdrivers	Primary circuit: Pozidrive no. 1, slotted head no. 1, Tightening torque: 1,2 Nm S0 output: Pozidrive no. 0, slotted head no. 1, Tightening torque: 0,5 Nm
Primary circuit connections	Max. 6 mm ² , M4
S0 impulse outputs	Max. 2.5 mm ² , M3
Insulation characteristics	4 kV / 50 Hz test in accordance with VDE0435 6 kV 1.2 / 50 μs surge voltage in accordance with IEC255-4 Equipment class II
Ambient temperature	-25 °C...+55 °C
Storage temperature	-30 °C...+85 °C
Environment	Mechanical M2 Electromagnetic E2
Relative humidity	75% without condensation
EMC / resistance to interference	Surge voltage in accordance with IEC61000-4-5 on primary circuit, 4 kV Surge voltage in accordance with IEC61000-4-5 at S0 impulse outputs, 1 kV Burst voltage in accordance with IEC61000-4-4, 4 kV ESD in accordance with IEC61000-4-2, contact 8 kV, air 15 kV

Dimension diagram

Structure

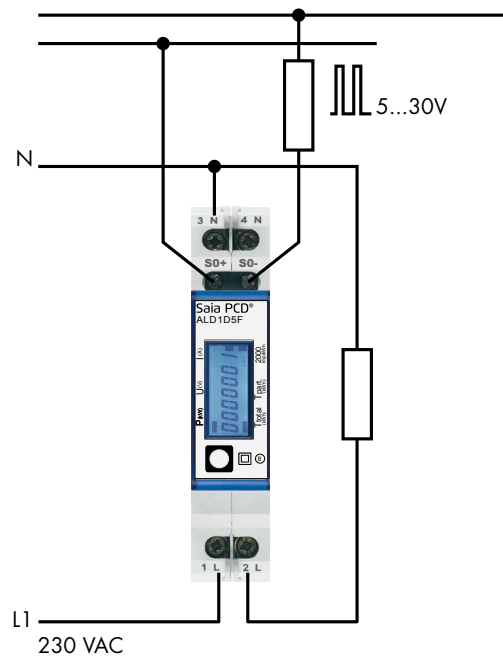


Display elements, direct measurement

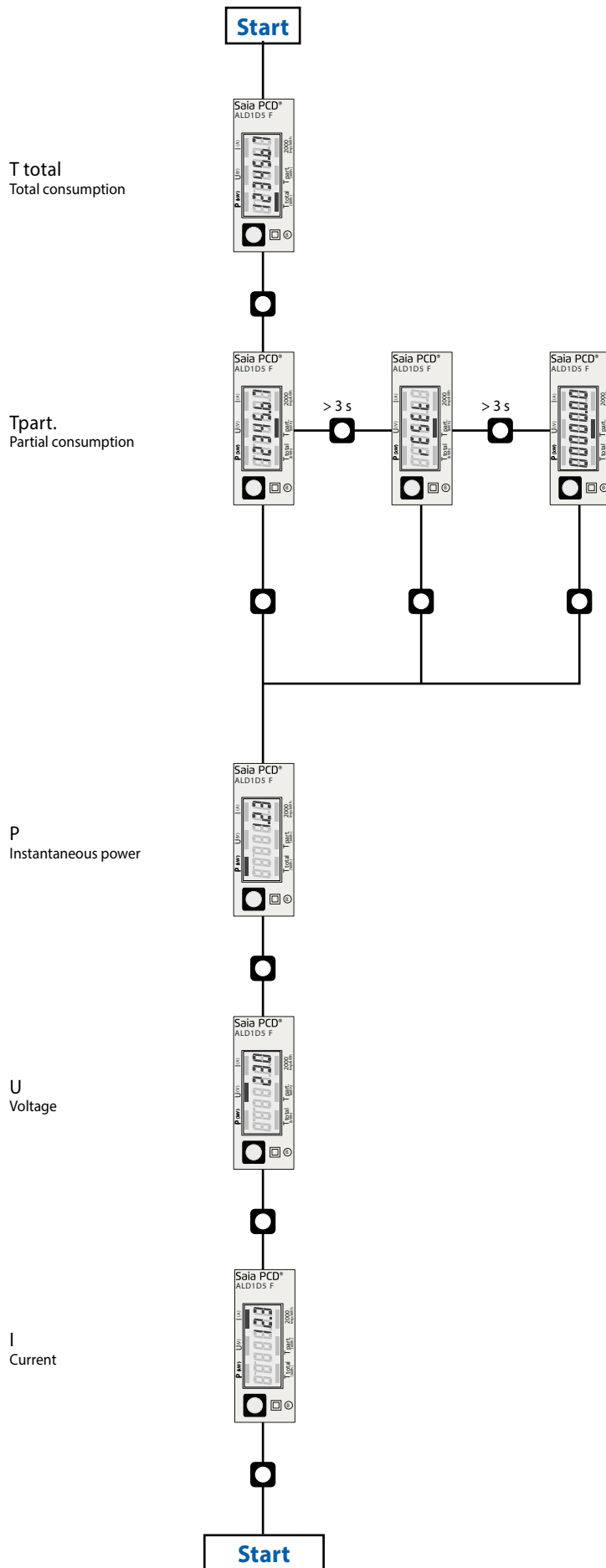


- T total (kWh) Indicates the total consumption
- T part (kWh) Indicates the partial consumption. This value can be reset
- P (kW) Indicates the instantaneous power
- U (V) Indicates the voltage
- I (A) Indicates the current
- 2000 pulses/kWh Pulsates according to the amount of used power. Error indication (Line 1L/2L inverted) pulsating with 600/600 ms

Connection diagram



Menu to display the value on LCD



Saia-Burgess Controls AG

Bahnhofstrasse 18 | 3280 Murten, Switzerland
T +41 26 672 72 72 | F +41 26 672 74 99
www.saia-pcd.com

support@saia-pcd.com | www.sbc-support.com