

**Butterfly valve with Wafer types**

- For open and closed cold and warm water systems
- For switching heat generators or cooling machines on/off


**Type overview**

Type	DN [ ]	kvmax [ m³/h]	kvs [ m³/h]	PN [ ]
<b>D6200W</b>	200	2200	820	6 / 10 / 16
<b>D6250W</b>	250	4200	1300	6 / 10 / 16
<b>D6300W</b>	300	5700	1740	6 / 10 / 16

**Technical data**

<b>Functional data</b>	Fluid	Cold and warm water, water with glycol up to max. 50% vol.
	Fluid temperature	-20...120°C
	Flow characteristic	0...100% opening angle: S-form; 0...60% opening angle: equal percentage
	Flow characteristic note	For butterfly valve actuator combinations with the PR actuator, the flow characteristic can be set to linear using the Belimo Assistant App
	Leakage rate	tight, leakage rate A (EN 12266-1)
	Angle of rotation	90°
	Installation position	upright to horizontal (in relation to the stem)
	Suitable connection flange	In accordance with ISO 7005-1 and EN 1092-1 In accordance with ISO 7005-2 and EN 1092-2 In accordance with DIN 2641 and DIN 2642
	Servicing	maintenance-free
	<b>Materials</b>	Housing
Closing element		stainless steel (1.4308)
Stem		stainless steel AISI 420 (1.4021)
Stem seal		EPDM O-ring
Stem bearing		Bronze, steel, PTFE
Seat		EPDM

**Safety notes**


- The valve has been designed for use in stationary heating, ventilation and air-conditioning systems and must not be used outside the specified field of application, especially in aircraft or in any other airborne means of transport.
- Only authorised specialists may carry out installation. All applicable legal or institutional installation regulations must be complied during installation.
- The valve does not contain any parts that can be replaced or repaired by the user.
- The valve may not be disposed of as household refuse. All locally valid regulations and requirements must be observed.
- When determining the flow rate characteristic of controlled devices, the recognised directives must be observed.
- The damper must be opened and closed slowly in order to avoid hydraulic shocks in the pipe system.
- The valve is not allowed to be operated without actuator or worm gear while flow is in the pipe. Without actuator or worm gear, the valve could close and cause damage (water hammer).

## Product features

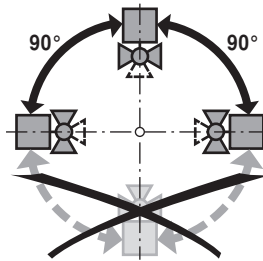
- Mode of operation** The butterfly valve is opened or closed completely by an open/close rotary actuator. Continuous rotary actuators are connected by a commercially available controller and move the valve to any position desired. The valve disk made of stainless steel is pressed into the soft-sealing EPDM seat by a rotary movement and ensures leakage rate A (tight). The pressure losses are slight in the open position and the kv value is at a maximum.
- Manual override** Manual throttling or isolation can be carried out with a worm gear (see «Accessories»). The worm gear with position indication is steplessly adjustable (self-locking).

## Accessories

	Description	Type
Mechanical accessories	Worm gear for butterfly valves DN 125...300	ZD6N-S150

## Installation notes

- Recommended installation positions** The butterfly valves may be mounted upright to horizontal. The butterfly valves may not be installed in a hanging position i.e. with the spindle pointing downwards.



- Water quality requirements** The water quality requirements specified in VDI 2035 must be adhered to.

- Servicing** Butterfly valves and rotary actuators are maintenance-free. Before any service work on the final controlling device is carried out, it is essential to isolate the rotary actuator from the power supply (by unplugging the electrical cable if necessary). Any pumps in the part of the piping system concerned must also be switched off and the appropriate slide valves closed (allow all components to cool down first if necessary and always reduce the system pressure to ambient pressure level). The system must not be returned to service until the butterfly valve and the rotary actuator have been reassembled correctly in accordance with the instructions and the pipeline has been refilled by professionally trained personnel. To avoid a torque increase during off season shut down, exercise the butterfly valve (full open and close) at least once a month.

- Flow setting** The Belimo butterfly valves have an approximate equal percentage characteristic curve between 0...60% opening angle. The following table shows the respective kv values in relation to the opening angle (%).

		10%	20%	30%	40%	50%	60%	70%	80%	90%	100%
DN 200	kv (m <sup>3</sup> /h)	10	60	170	330	540	820	1200	1640	2000	2200
DN 250	kv (m <sup>3</sup> /h)	10	100	280	530	850	1300	1920	2710	3580	4200
DN 300	kv (m <sup>3</sup> /h)	30	160	400	710	1130	1740	2560	3610	4790	5700



### Installation notes

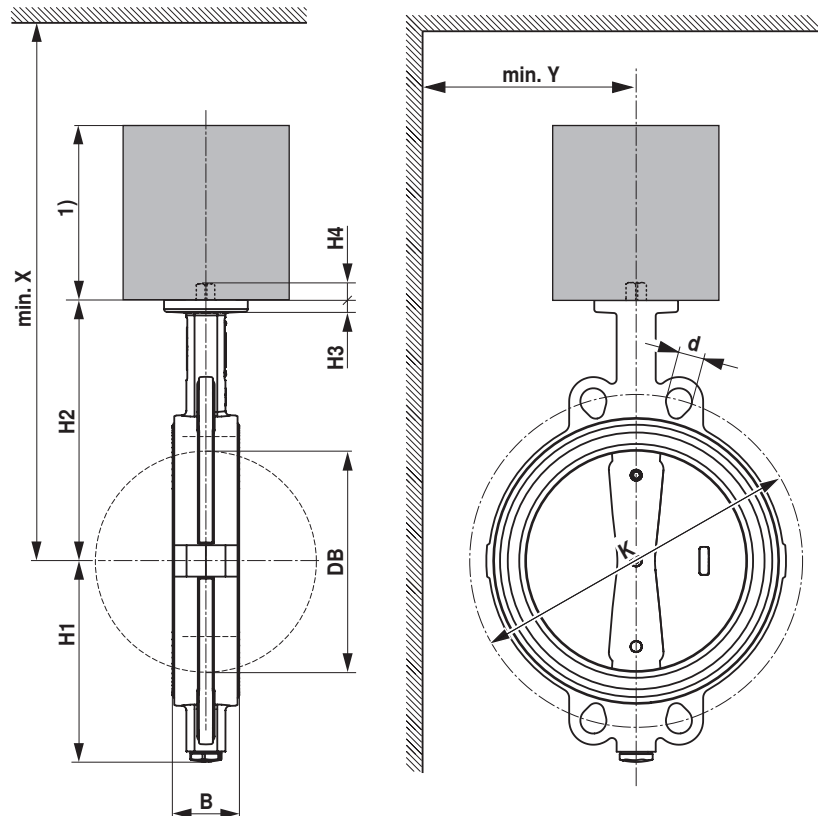
#### Parameterisation linear characteristic curve

For butterfly valve actuator combinations with the PR actuator, the flow characteristic can be set to linear using the Belimo Assistant App. The following table shows the respective kv values in relation to the control signal (%).

		10%	20%	30%	40%	50%	60%	70%	80%	90%	100%
DN 200	kv (m <sup>3</sup> /h)	220	440	660	880	1100	1320	1540	1760	1980	2200
DN 250	kv (m <sup>3</sup> /h)	420	840	1260	1680	2100	2520	2940	3360	3780	4200
DN 300	kv (m <sup>3</sup> /h)	570	1140	1710	2280	2850	3420	3990	4560	5130	5700

### Dimensions / Weight

#### Dimensional drawings



The actuator dimensions can be found on the respective actuator data sheet.

Type	DN [ ]	B [ mm]	DB [ mm]	H1 [ mm]	H2 [ mm]	H3 [ mm]	H4 [ mm]	d (PN6) [ mm]	K (PN6) [ mm]	d (PN10) [ mm]	K (PN10) [ mm]
D6200W	200	60	202	176	250	15	19	8 x M16	280	8 x M20	295
D6250W	250	68	250	216	280	15	19	12 x M16	335	12 x M20	350
D6300W	300	78	301	248	325	15	19	12 x M20	395	12 x M20	400

Type	d (PN16) [ mm]	K (PN16) [ mm]	d (Table E) [ mm]	K (Table E) [ mm]	X [ mm]	Y [ mm]	Weight
D6200W	12 x M20	295	8 x M20	292	500	300	14 kg
D6250W	12 x M24	355	12 x M20	356	530	300	20 kg
D6300W	12 x M24	410	12 x M24	406	580	300	31 kg

### Further documentation

- The complete product range for water applications
- Data sheets for actuators
- Installation instructions for actuators and/or butterfly valves
- General notes for project planning